

User Manual



IRT150

Stem Thermometer with IR



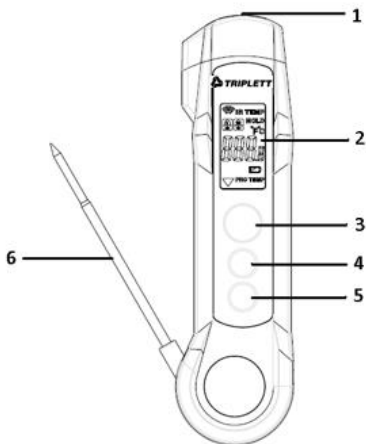
Introduction

Congratulations on your purchase of the Triplet IRT150 Stem Thermometer with built in IR (Infrared) Thermometer. This instrument combines a non-contact infrared thermometer with stem type temperature probe, it can measure the surface and inside temperature of object, it is a professional thermometer and very useful for the food industry as well as wide variety of other applications where external surface and internal temperature measurements are needed.

Description

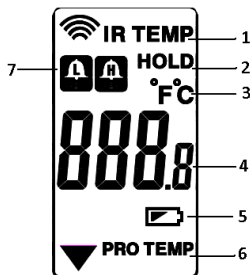
METER DESCRIPTION

1. IR Sensor
2. LCD Display
3. **Scan/IR Measure/UP** Button
4. **Flashlight/DOWN** Button
5. **SET** Button
6. Stem Probe



LCD DISPLAY

1. IR Temperature Measurement Indicator
2. IR HOLD Icon
3. Temperature Units of Measure (°F/°C)
4. Temperature Measurement
5. Low Battery Indicator
6. Probe Temperature Measurement Indicator
7. HI/LOW ALARM Indicator



Operation

Basic Measurements

Power ON/OFF

IR Measurements

- Press the SCAN/ Measure button and point it toward the surface to be measured. The display will light if the battery is good. Replace the battery if the display does not light.
- While measuring, the scan symbol will appear in the upper left hand corner of the LCD
- Release the SCAN/Measure button and the HOLD display icon will appear on the LCD indicating that the reading is being held.
- The meter will automatically power down after approximately 7 seconds after the button is released.

Probe Measurements

- Swing the stem probe to the OUT position of the housing. The meter will automatically turn ON and the LCD will display the probe temperature.
- While measuring, the probe measure icon will appear in the down of the LCD
- Fold the stem probe back to the IN position and the meter will turn OFF.

Changing Temperature Units (°F/°C)

- Press the set button five times, the C/F symbol will flash, then press the “Light” button or “Meas” button to change the temperature unit.

Setting HI/LOW ALARMS

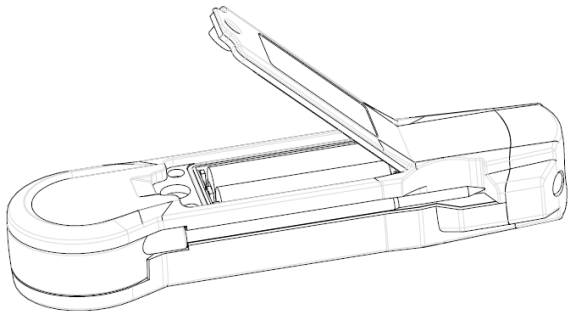
- Press the SET button once to set high alarm value, the “Hi” symbol will flash
- .
- Press the “SCAN/ Meas/ **UP**” Button to increase the high alarm value.
- Press the “Flashlight/**DOWN**” Button to reduce the high alarm value.
- Press the **SET** button twice to set high alarm ON/OFF,
- Press the “SCAN/ Measure Button” or the “Flashlight Button to disable the ON/OFF High Alarm.
- Press the SET button three times to set low alarm value, the “Low” symbol will flash, Press the “SCAN/ Meas/ **UP**” button to increase the high alarm value,

- Press the “Flashlight/**DOWN**” button reduce the high alarm value.
- Press the SET button four times to set low alarm ON/OFF.
- Press the “SCAN/ Measure Button” or the “Flashlight Button to disable the ON/OFF Low Alarm.

Battery Replacement

When the battery icon appears on the LCD, the batteries must be replaced.

Open the battery cover, remove the battery, put in the new 2 x “AA” battery, and then close the battery cover.



****Note****

Instrument is IP65, the probe can be cleaned however avoid condensation build up around the infrared sensor area or it will affect the accuracy.

Maintenance

Please clean the housing with soft cloth, do not let any liquid in to infrared sensor region.

Please clean the probe before/after using the probe, or disinfect it with water or cleaner.

Specifications

General Specifications

Data Hold	Freezes displayed reading
Measurement Response	<500ms
IR Distance to Spot ratio	4:1
IR Spectral response	8 to 14 μ m
IR Emissivity	0.95 fixed
Resolution	0.1
Repeatability Accuracy	<1 $^{\circ}$ C
Low battery indication	Battery symbol appears on the LCD
Power supply	(2) AA 1.5V Batteries
Operating conditions	Meter: 0 to 50 $^{\circ}$ C (32 to 122 $^{\circ}$ F); 80% RH max.
Stem Probe (Thermistor) Length	3.0" (76mm)
Dimensions / Weight	Main instrument: (L) 2.5" x (W) 1.25" x (D) 1.0" (L) 140mm x (W) 32mm x (D) 25mm
Weight	0.30 lb (4.8 oz.)

Function	Range	Resolution	Accuracy
Probe Temp (Thermistor)	-40°F to 536°F (-40°C to 280°C)	0.1°F/° C	(4°F/2°C)
	32°F to 392°F(0°C to 200°C)	0.1°F/°C	1.0% reading +1.8°F 1.0% reading +1.0°C
IR Temp	-40 to 68°F (-40 to 20°C)	0.1°F/° C	±5.4°F / 3.0°C
	68.0 to 536°F (20 to 280°C)	0.1°F/° C	±1.8°F/1.0%+1°C

Warranty

Triplett / Jewell Instruments extends the following warranty to the original purchaser of these goods for use. Triplett warrants to the original purchaser for use that the products sold by it will be free from defects in workmanship and material for a period of (1) one year from the date of purchase. This warranty does not apply to any of our products which have been repaired or altered by unauthorized persons in any way or purchased from unauthorized distributors so as, in our sole judgment, to injure their stability or reliability, or which have been subject to misuse, abuse, misapplication, negligence, accident or which have had the serial numbers altered, defaced, or removed. Accessories, including batteries are not covered by this warranty

Copyright © 2021 Triplett
www.triplett.com