

User Manual



# BR400

Dual Camera High Definition Videoscope 360°  
Rotation



## ***Introduction***

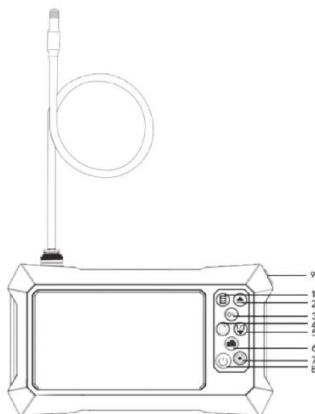
---

Congratulations on your purchase of the Triplet BR400 Borescope. The BR400 is a high-performance industrial inspection camera with a 360° rotating camera with forward and reverse allows for viewing at all angles. The snapshot and recording functions are supported, photos and videos can be saved on TF memory card (Micro-SD card). Features include an auxiliary light source and adjustable LED lights making it easy and handy to use in a dark environment.

## ***Meter Description***

---

1. Menu Button
2. Flip Up/Turn Left Control
3. Enter/Camera Forward Side Switch Button
4. Screen Flip Button
5. Scroll Down/Turn Right Control
6. Photo/Video Button
7. Zoom In/Out Button
8. Power Button
9. LED Work Light On/Off Button



## ***Safety***

---

This product is designed for industrial inspection camera.

- Avoid severe hits to the camera probe, and do not aggressively pull the cable.
- Please do not use it under high temperature, high magnetic environments or under strong light.
- Do not expose this product to extremely low or high temperatures
- If used for extended periods of time, please take out of the Alkaline battery from the device.
- Do not wipe the unit with corrosive chemical wash.

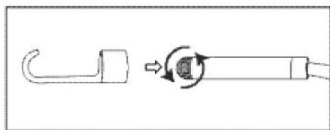
#### NOTICE:



WARNING ! This product is an industrial inspection camera and is not intended for medical use or human examination.

## ACCESSORIES INSTALLATION

The installation of accessories is shown in the following figures



Magnet



Hook



Protective cap

Operati

## BUTTON Functions

## **Menu Button**

- Enter the directory option

## **Flip Up/Turn Left Control Button**

- In the photo or video mode, turn left enter the menu key is up key

## **Enter/Forward and Side View Camera Toggle Button**

- Confirm button when selecting the catalog
- (Short press to switch camera screen)

## **Screen Rotation Button**

- 180° flip exit key when viewing album

## **Scroll Down/Turn Right Control Button**

- In the photo or video mode, it is the turn right button, and after entering the menu, it is the down button

## **Photo/Video Capture Button**

- Short press to take pictures long press to record

## **Zoom In/Out Button**

- Image loop 4 times zoom in and out

## **Power ON/OFF Button**

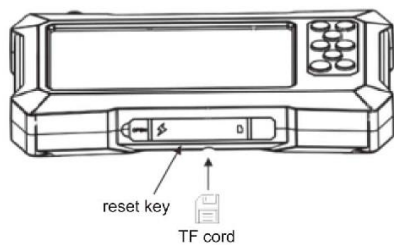
- Turns unit ON/OFF

## **LED Worklight ON/OFF Button**

- Turns unit ON/OFF LED Worklight

# **Basic Operation**

Insert the Micro TF card (not equipped with the regular model) into the Micro TF Card slot, press gently until the TF card is locked (Note: A Class 10 or Above Micro TF card must be used to record and store pictures and videos)

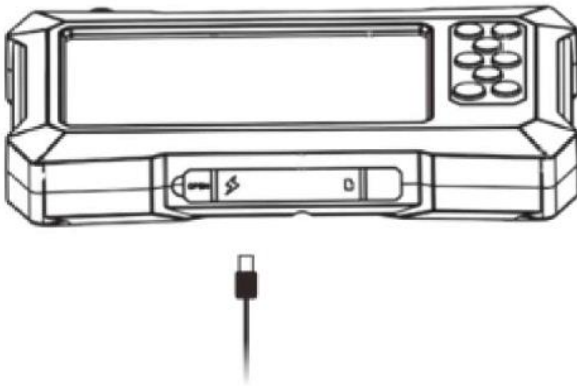


**NOTE:** If there is a crash or black screen, please press the reset button to resolve.

## CHARGING

When the power is low or the power is turned off automatically, YOU need to use the power adapter to charge the device. the Adapter needs to use the specified 5V/1A.

When the battery is charging the charging indicator of the device Will be red. after the battery is fully charged, the red indicator light Will go out. The entire charging process is about 3.5 hours, and it Can be used for 3.5-4 hours when fully charged



**NOTES:**

Charging indicator lights up in red when charging, and does not light up after charging

Micro TF card slot supports up to 64GB micro-TF card, only supports TF card in FAT 32 format at level 10 or higher (shipped with 32GB TF card)

Lens 13.5mm diameter high-sensitivity waterproof lens, with clear picture quality, suitable for different working environments

Wire: the snake tube 3M can be meet the needs of different scenarios

4.3-inch display: 4.3-inch full-color LCD screen, you can view the test video in real time

**Specifications**

---

<b>Model</b>	BR400
<b>Monitor</b>	4.3-inch color LCD display
<b>Resolution</b>	1920*1080P
<b>Horizontal viewing angle</b>	90°
<b>Language</b>	Simplified Chinese, Traditional Chinese, English, German, Spanish, French, Italian, Russian, Japanese, etc.
<b>Line length</b>	1M / 3M / 5M
<b>Focal length</b>	3CM-10CM
<b>Waterproof level</b>	IP67(only for lens bulb)
<b>Lens diameter</b>	13.5mm
<b>Battery capacity</b>	3000mAh
<b>Battery life</b>	About 4 hours

## TROUBLESHOOTING:

Problem	Solution
The device can not be turned on	Use after fully charging the battery Confirm whether the power supply has been successfully connected
TF card reading failed	Confirm whether the TF card meets the requirements (the highest supported format is 64GB Micro TF card in FAT 32 and the transmission speed must be class 10 or higher) Remove the TF card and reinsert it
After the device is connected to PC can't TF card	Reconnect the device and the PC. Confirm whether to enter mass storage mode
Smudges or smudges on the screen	1.Clean the screen carefully with a soft cloth

## ***Warranty***

---

Triplett / Jewell Instruments extends the following warranty to the original purchaser of these goods for use. Triplett warrants to the original purchaser for use that the products sold by it will be free from defects in workmanship and material for a period of (1) one year from the date of purchase. This warranty does not apply to any of our products which have been repaired or altered by unauthorized persons in any way or purchased from unauthorized distributors so as, in our sole judgment, to injure their stability or reliability, or which have been subject to misuse, abuse, misapplication, negligence, accident or which have had the serial numbers altered, defaced, or removed. Accessories, including batteries are not covered by this warranty

**Copyright © 2022 Triplett**

**[www.triplett.com](http://www.triplett.com)**